

Welcome

Thank you for your purchase of the NS-TVM101 wall mount. It is a full-motion mount that allows the TV or monitor to tilt $\pm 15^\circ$, swivel $\pm 15^\circ$, and extend 8.8 inches (22.4 cm) from the wall. The cable tunnels can hide cables and can be cut and painted to any desired size and color.

PARTS LIST

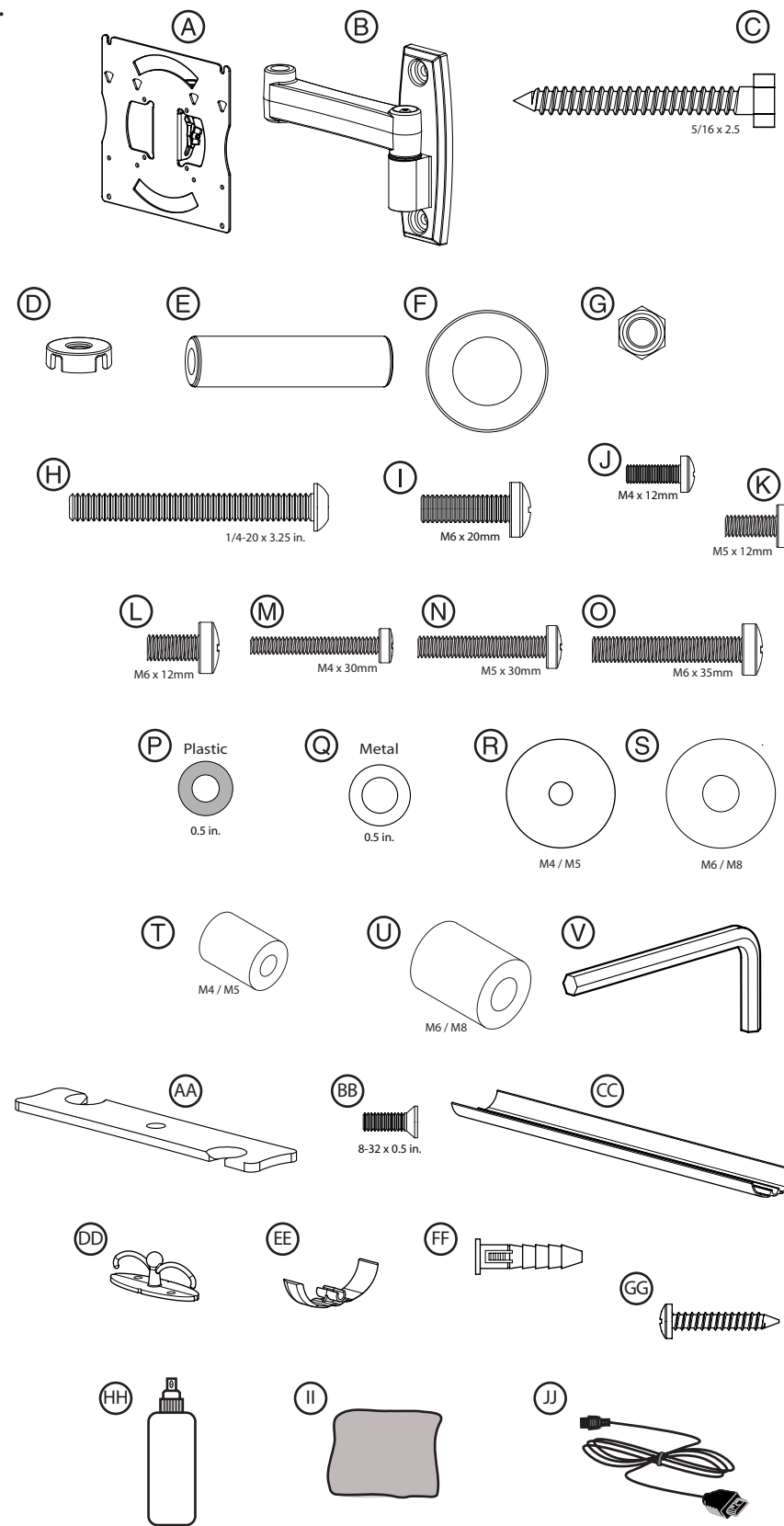
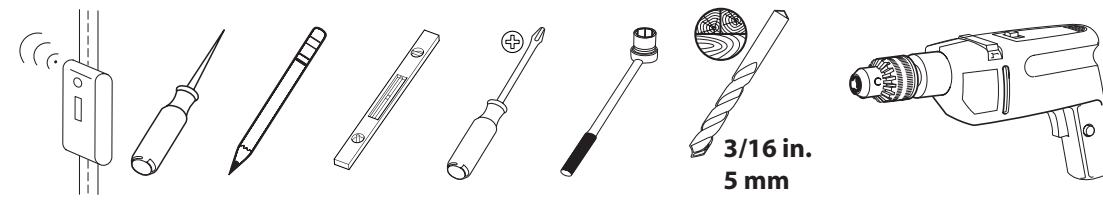
Before starting assembly, verify that all parts are included and undamaged. If any parts are missing or damaged, do not return the item to your dealer, but contact Customer Service. Never use damaged parts. Missing parts? Call (877) 467-4289.

Note: Not all parts will be used

- A TV bracket (1)
- B Wall bracket (1)
- C Lag bolt (2)
- D Hinge caps (6)
- E Swivel head bearing (1)
- F Swivel head washer (1)
- G Swivel head nut (1)
- H $1/4" \times 3.25"$ (82.6 mm) bolt (1)
- I $M6 \times 0.78"$ (20 mm) bolt (4)
- J $M4 \times 0.47"$ (12 mm) bolt (4)
- K $M5 \times 0.47"$ (12 mm) bolt (4)
- L $M6 \times 0.47"$ (12 mm) bolt (4)
- M $M4 \times 1.18"$ (30 mm) bolt (4)
- N $M5 \times 1.18"$ (30 mm) bolt (4)
- O $M6 \times 1.38"$ (35 mm) bolt (4)
- P Plastic $0.5"$ (12.7 mm) washer (1)
- Q $0.5"$ (12.7 mm) washer (2)
- R M4/M5 washer (8)
- S M6 washer (4)
- T M4/M5 spacer (4)
- U M6 spacer (4)
- V Allen (hex) wrench (1)
- AA Cable cover (1)
- BB Cable cover screw (2)
- CC Cable tunnel (3)
- DD Cable clip (6)
- EE Cable tunnel connector (2)
- FF Wall anchor for cable clip (12)
- GG Wall screw (12)
- HH Screen cleaner
- II Micro-fiber cleaning cloth
- JJ 9' in-wall rated HDMI cable (1)

Tools you will need:

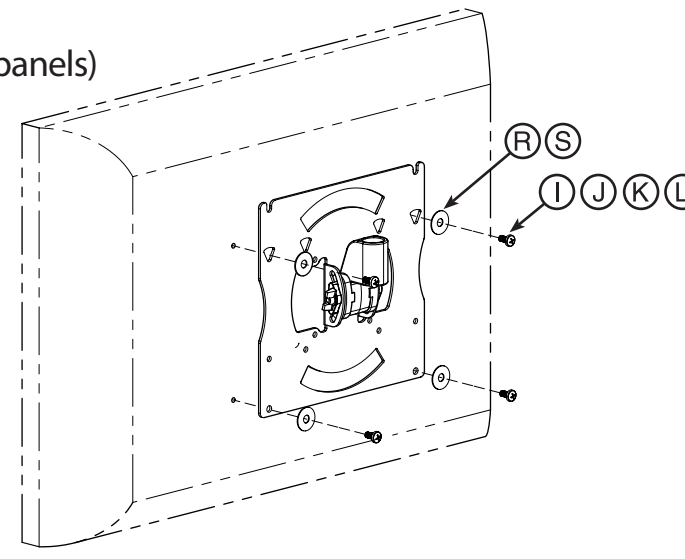
- Power drill
- $3/16"$ wood drill bit
- Phillips screwdriver
- Level
- Socket wrench with $1/2"$ socket
- Pencil, awl, or other marking tool
- Stud finder



2 Flat Back Panel

Attach the TV bracket (for TVs with flat back panels)

Tip: Determine the diameter of the screw your TV requires by hand threading them into the threaded insert on the back of your TV. Stop immediately if you encounter any resistance.

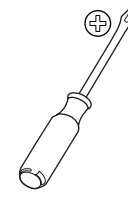
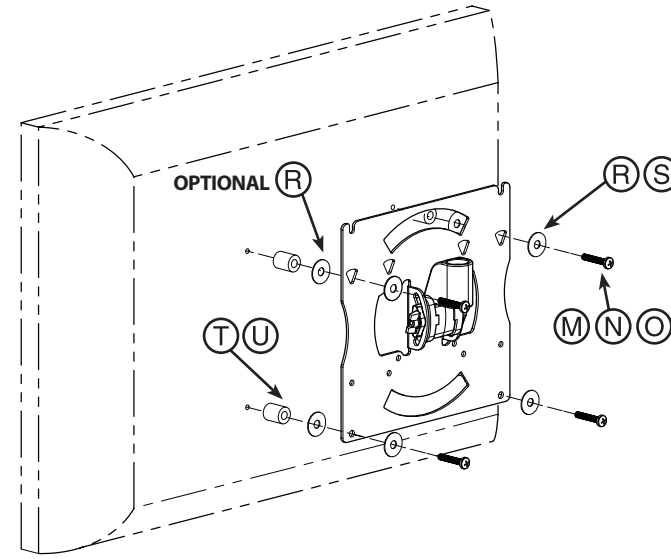


Rounded or Angular Back Panel TVs

Attach the TV bracket (for TVs with rounded or angular back panels)

Tip: Determine the diameter of the screw your TV requires by hand threading them into the threaded insert on the back of your TV. Stop immediately if you encounter any resistance.

Optional: Use washer (R) with M4 or M5 hardware only.

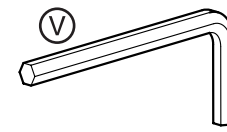
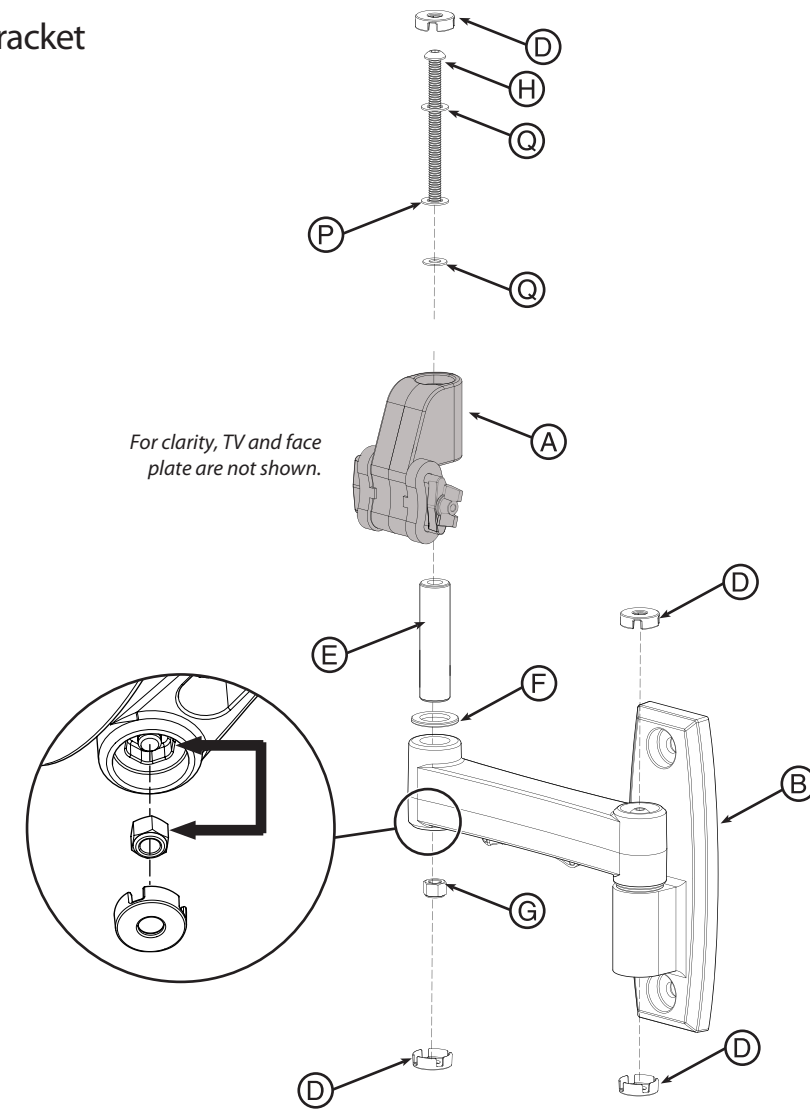


3 Mount the TV bracket to the wall bracket



HEAVY! You will need assistance with this step.

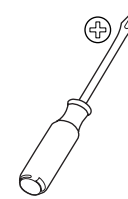
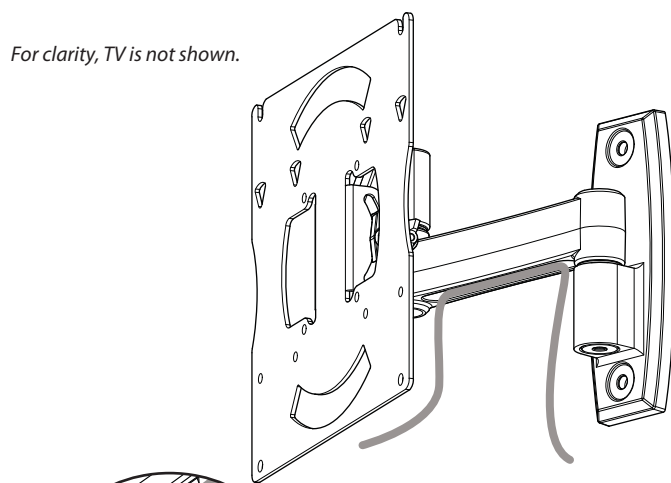
For clarity, TV and face plate are not shown.



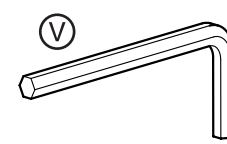
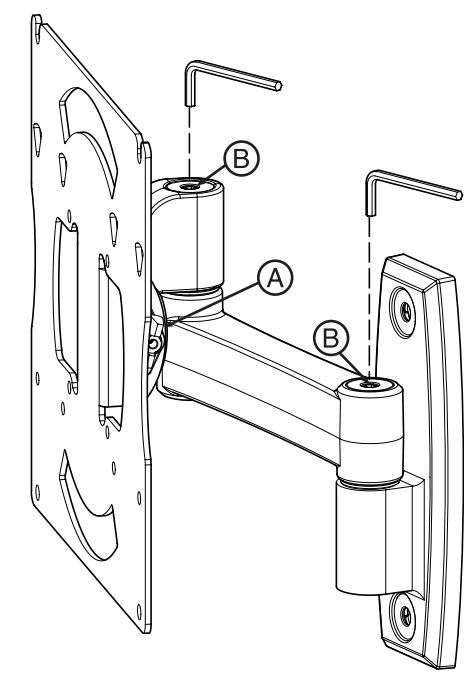
4 Conceal the cables in the arm

Route the cables through the arm, leaving enough slack to prevent stretching the cable when the arm is moved.

For clarity, TV is not shown.

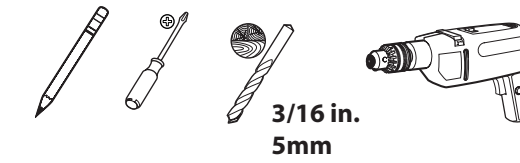
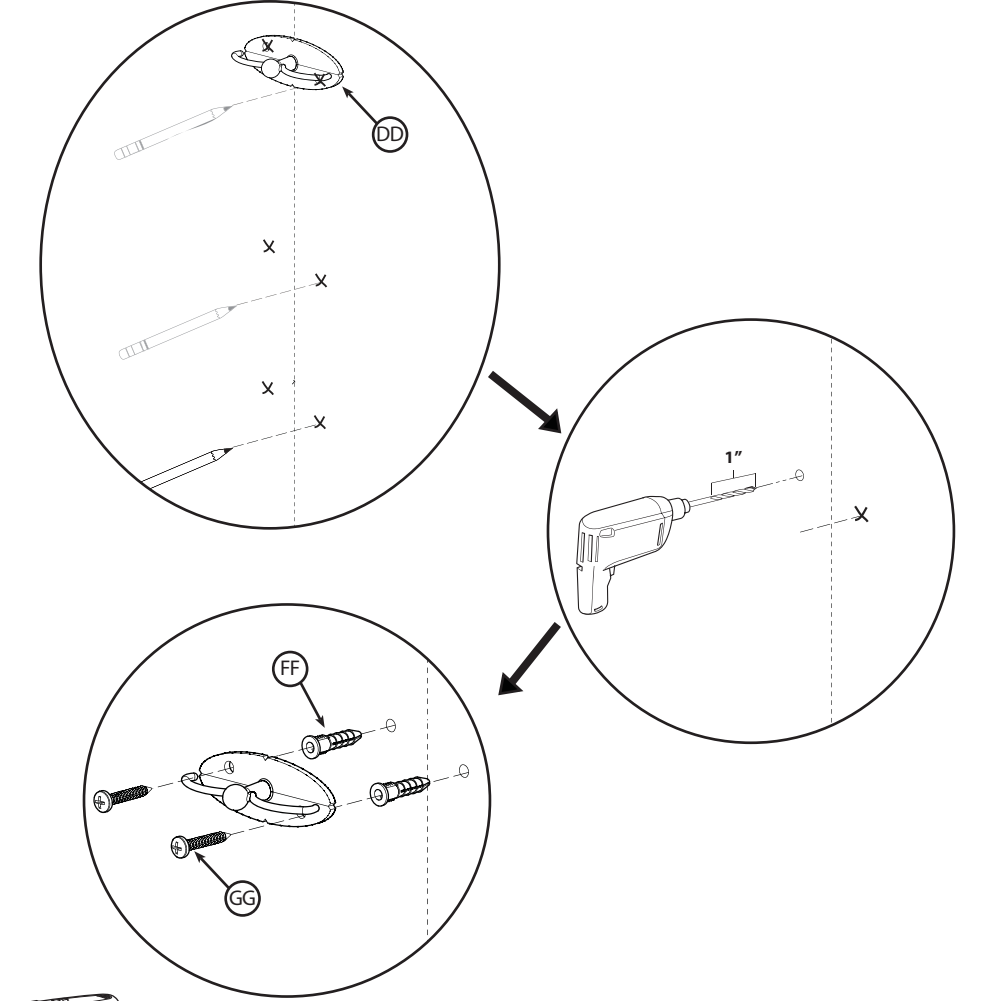


5 Use the head adjustment nut (A) to set the tension required to tilt the TV and the arm adjustment (B) to set the tension required to swivel or rotate the arm.

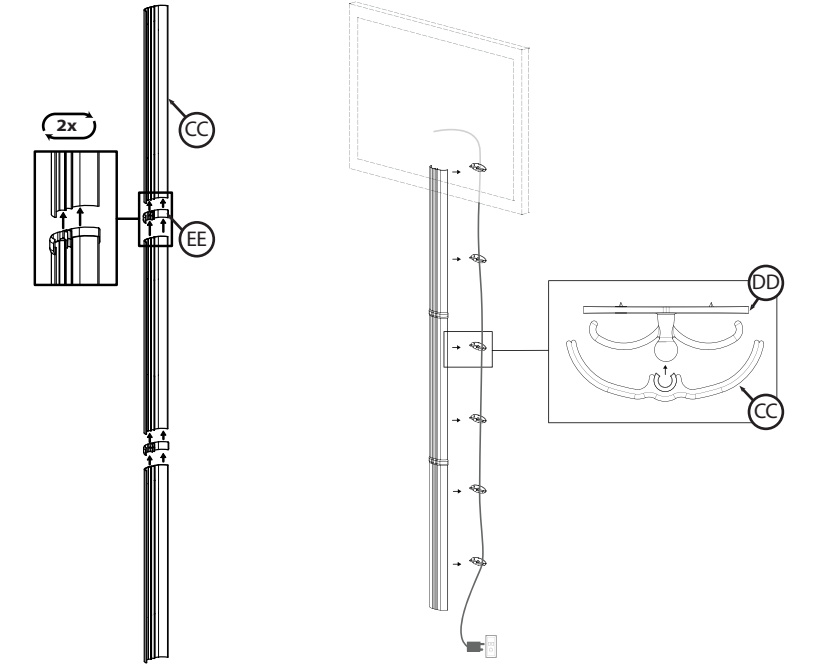


6 Drywall

Install the cable clips on the drywall

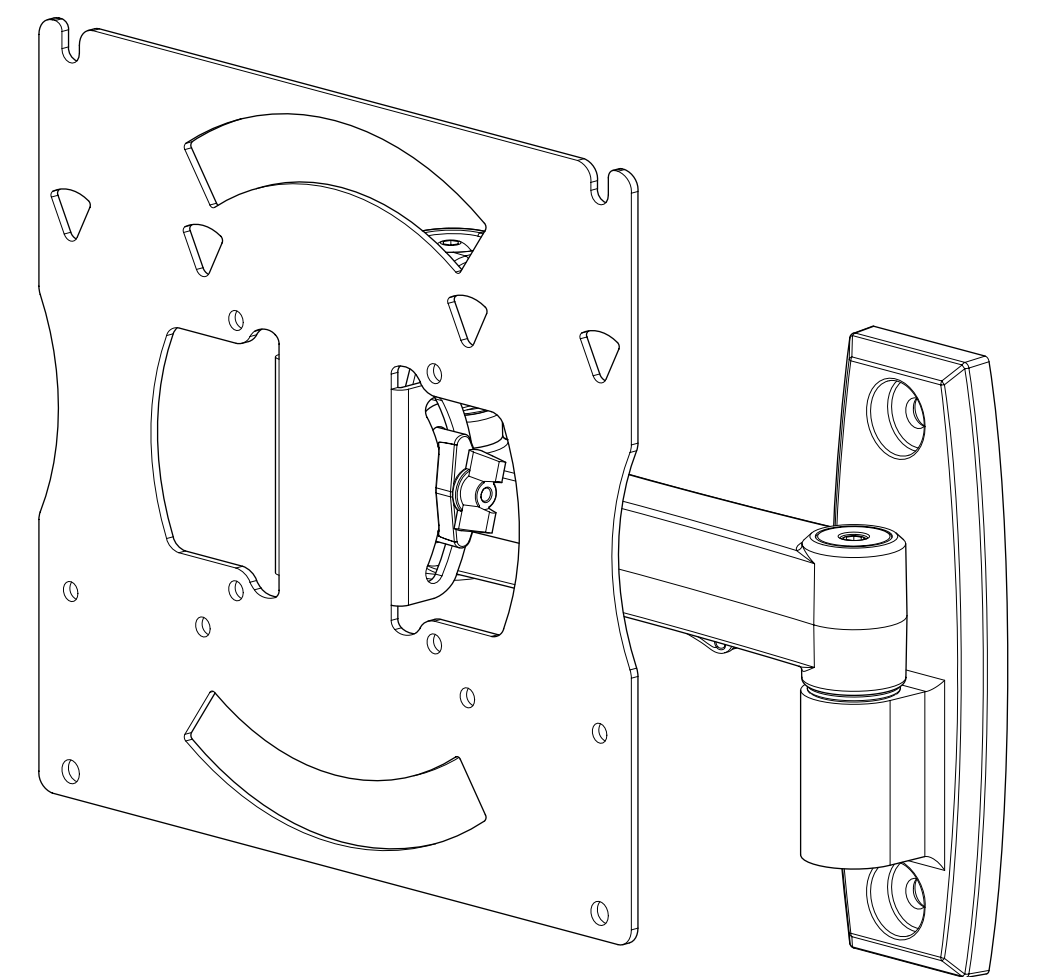


7 Connect cable covers CC and EE. Route cable. Install cable covers CC to DD.



INSIGNIA™

NS-TVM101 TV Mount Kit (includes HDMI cable)



USER GUIDE